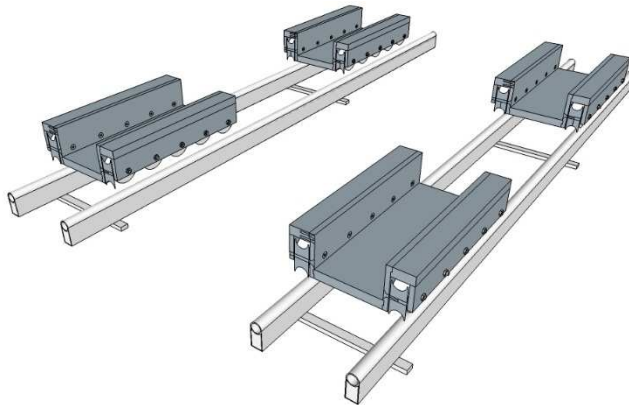
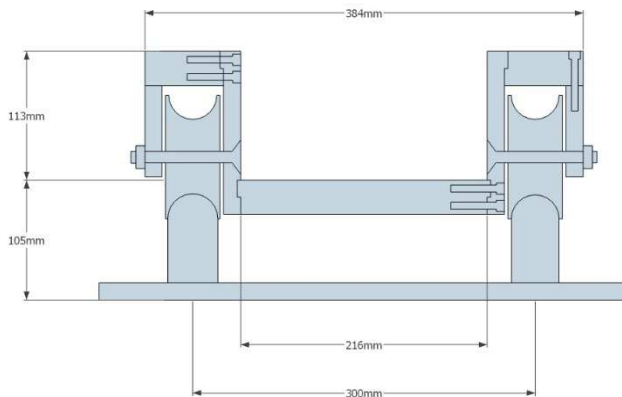


## BarTrack XL

BarTrack XL will be designed for use for the heavier cranes over 2500 kg. Because of the principle of using two tubes on each side of the crane it is crane-gauge independent. Each sled is equipped with 10 wheels so the total crane is tracking on 40 wheels (GFM-Panther design).

For getting the crane on the sleds you can either use a ramp to roll the crane onto the sleds or you could park the crane in between the two tracks and put a sled under each levelling-jack and level the crane on the sleds. Hooks will be available for ratching it down.



### SPECS

Track:  
Track gauge: 30cm  
Track Height: 9cm  
Diameter: 38mm  
Payload: 2500kg

Each Sled:  
Length: 60 cm  
Height: 21,6 cm  
Width: 38,4 cm  
Platform: 10,5 cm  
Weight: 17 kg  
Payload: 1250 kg

### PRICING

	euro
XL230 Track	700
XL-SL60 Sleds	9.300